

## ■ Piezoelectric sounders (Self-drive type)

### ● How sounders are named

OSF 4 — 27 B

①            ②            ③    ④

- ① OSF                    : Self-drive type  
 ② Shape code  
 ③ Outer diameter    : Outer diameter of metal plate in mm.  
 ④ Series code

### ● Outline specifications

Measurement condition 25°C±2°C

Part number	Electrical characteristics (*1)			Operating temperature range (°C)	Shapes and structures				Weight (g)
	Output sound pressure (dB min.)	Oscillating frequency (KHz)	Current consumption (mA max)		Dimensions (mm)		Terminal	Casing color	
					Outer diameter	Height			
OSF2-27B (*2)	77 dB/1m	3.3±0.4	10	-20~+70	φ28.5	15	Lead pin	Ivory	3.5
OSF4-27B (*2)	75 dB/1m	2.9±0.5	10	-20~+70	φ28.5	13.5	Lead pin	Ivory	3.8
OSF5-32B (*3)	90 dB/1m	2.5±0.5	30	-20~+70	φ33.5	14	Lead pin	Black	5.2

\* 1 : Described electrical characteristics are guaranteed values when a rated circuit is input under rated measurement conditions using a test circuit specified by our company.

\* 2 : When the input voltage of the test circuit is 12V

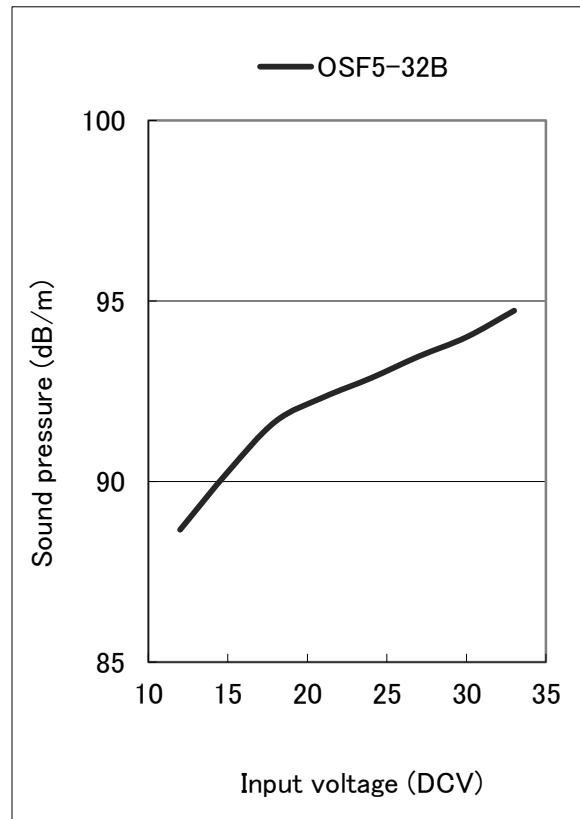
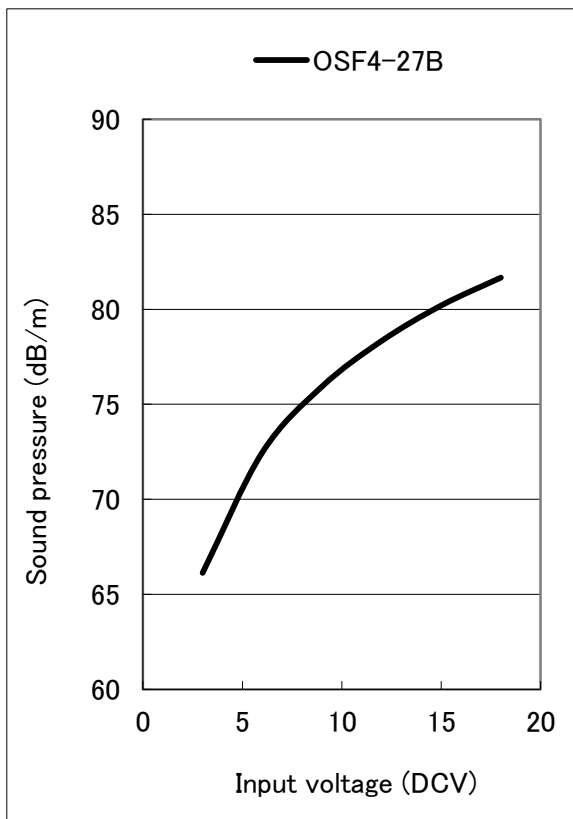
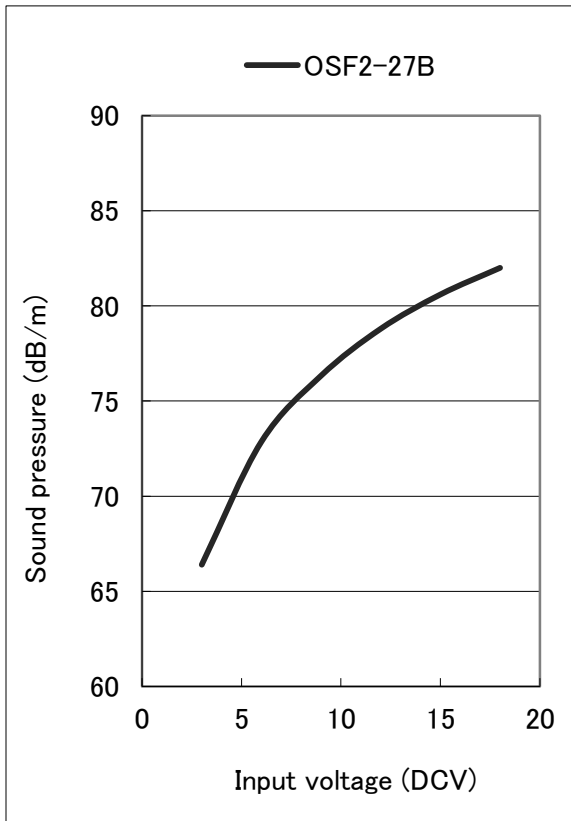
\* 3 : When the input voltage of the test circuit is 24V

# ●Shapes

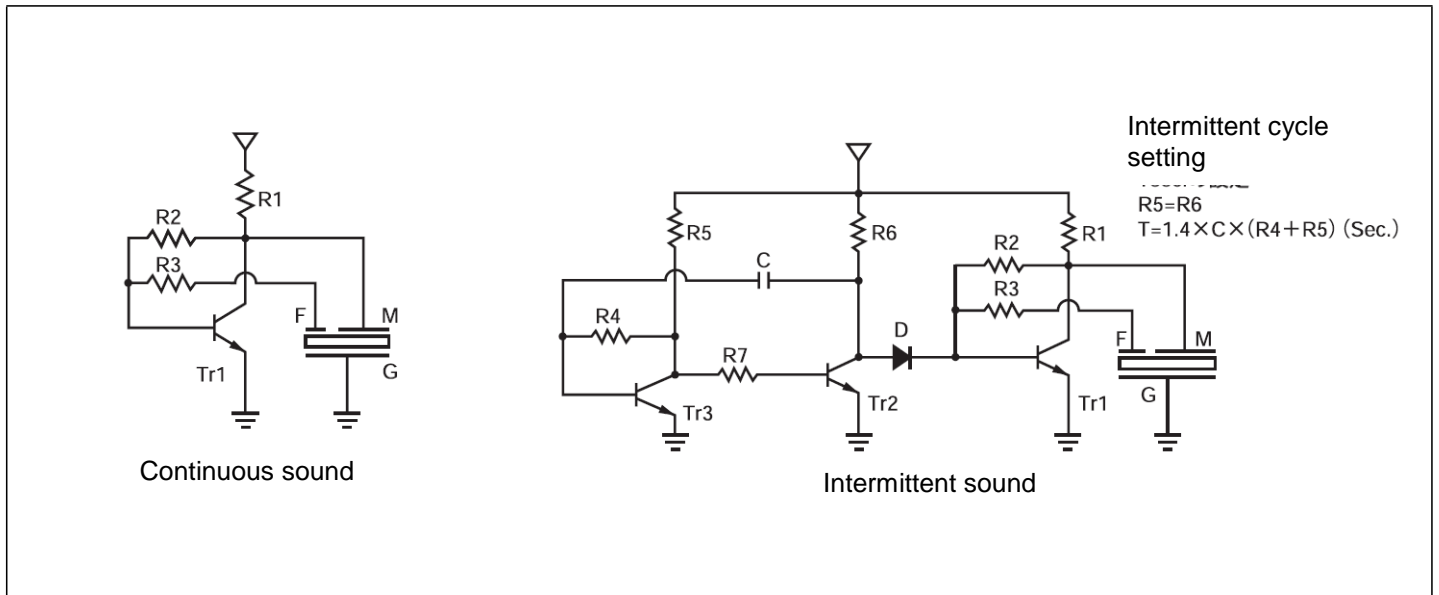
Symbol in the figure / M:Main terminal、F:Feedback terminal、G:GND

<p>OSF2-27B</p> <p>GND端子マーク GND terminal mark</p> <p>4</p> <p><math>\phi 28.5</math></p> <p>6</p> <p>15</p> <p>M</p> <p>F</p> <p>G</p>	<p>推奨実装穴位置 Recommended hole positions</p> <p>3-<math>\phi 1</math></p> <p><math>\phi 30</math></p> <p>120°</p> <p>120°</p> <p>120°</p>
<p>OSF4-27B</p> <p>GND端子マーク GND terminal mark</p> <p>4</p> <p><math>\phi 28.5</math></p> <p>7.5</p> <p>13.5</p> <p>M</p> <p>F</p> <p>G</p>	<p>推奨実装穴位置 Recommended hole positions</p> <p>3-<math>\phi 1</math></p> <p><math>\phi 30</math></p> <p>120°</p> <p>120°</p> <p>120°</p>
<p>OSF5-32B</p> <p>GND端子マーク GND terminal mark</p> <p>ラベル Label</p> <p>OSF5-32B</p> <p>4</p> <p><math>\phi 33.5</math></p> <p>8</p> <p>14</p> <p>M</p> <p>F</p> <p>G</p>	<p>推奨実装穴位置 Recommended hole positions</p> <p>3-<math>\phi 1</math></p> <p><math>\phi 35</math></p> <p>120°</p> <p>120°</p> <p>120°</p>

## ● Input voltage characteristics



## ● Example of recommended circuits for self-drive type sounders



## ● About RoHS

This product complies with the revised RoHS Directive (2011/65 / EU) and the revised Directive (EU) 2015/863 of Appendix Annex II.

However, lead is contained in the glass in the piezoelectric ceramic plate and Ag electrode (Exemption No. 7 (C)-I).

☆ Please read the notes “Precautions for use of piezoelectric buzzers” . ☆